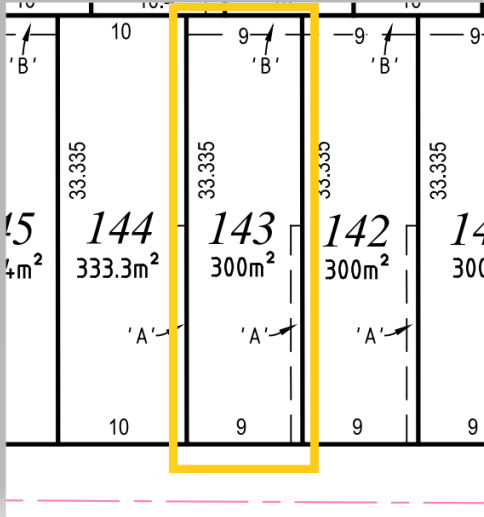


# Home & Land Package



## Lot 22

143 - 153 Heath Road  
Leppington, NSW 2179

Fixed Price  
\$810,000

## Land



Total Area 0 m<sup>2</sup>  
Build Price \$0

Land Area 447.3m<sup>2</sup>  
Land Registration Apr-24  
Land Price \$810,000

## Featured Inclusions

- ✓ 1 this is a very long inclusion item
- ✓ 2 this is a very long inclusion item
- ✓ 3 this is a very long inclusion item
- ✓ 4 this is a very long inclusion item
- ✓ 5 this is a very long inclusion item
- ✓ 6 this is a very long inclusion item
- ✓ 7 this is a very long inclusion item
- ✓ 8 this is a very long inclusion item
- ✓ 9 this is a very long inclusion item
- ✓ 10 this is a very long inclusion item



SUNIL ROY

0433911309

sales@visionrealty.com.au

All photographs, Facades, colour schemes, floor plans and dimensions are for illustrative purposes only and may vary slightly to the end product. Prices are based on example specifications. Reserved right to change prices without notice. Additional council fees may be payable. Due to individual estate requirements and council guidelines, some typical lot widths may vary and should be used for a guide only. For further terms and conditions please discuss with your home sales consultants.

06-11-2023